

POWER
RMS 8000 W

POWER
MAX 16000 W

CMP S3-12D1N

HIGH-GRADE PRECISION

The extremely stiff cone - reinforced with mica pulp - provides uncompromising performance for supreme control and accuracy, even at the highest-pressure levels. On top of that - literally - is a tailored carbon dust cap to protect the 8000W RMS guts of this beast and ensures cone warping is a thing of the past. The result is a subwoofer with extreme rigidity, unparalleled control and outstanding precision.

WORLD CLASS ENDURANCE

At this ultimate level, linearity and accuracy is key. A moving assembly with a huge cone and a prime US made voice coil (80 mm winding height), which needs to stay in perfect alignment even at extreme excursions. To keep this moving mass in check, we have implemented a 4-layer Nomex spider pack with orange mesh along- side a mega-roll foam surround at the top - of course double-stitched to the cone.

EXTREME POWER HANDLING

A dual black-anodized 4-inch 8-layer flat aluminum wire voice coil grants the CMP S3-12D1N extreme power handling and heat dissipation capabilities. To achieve the best possible signal transfer and increased durability, dual silver-coated tinsel leads have been sewn into the spider pack. The pre-terminated 10mm² oxygen-free copper direct leads provide excellent conductivity to ensure a strong and reliable direct connection between the subwoofer coil and your amplifier, with no points of added resistance or poor contact.

ELITE PERFORMANCE

This subwoofer was designed from the ground up for the extremes. The A-star, 16 block elite grade N52 neodymium motor will provide a new level of power control along the huge 80mm X-max for unparalleled performance. In addition, the exact arranged neo blocks open cooling system ensures that the subwoofer operates at peak performance even during the most intense competitions. The CMP S3-12D1N demand attention, but will reward you with unprecedented level of bass.

SPECIFICATIONS

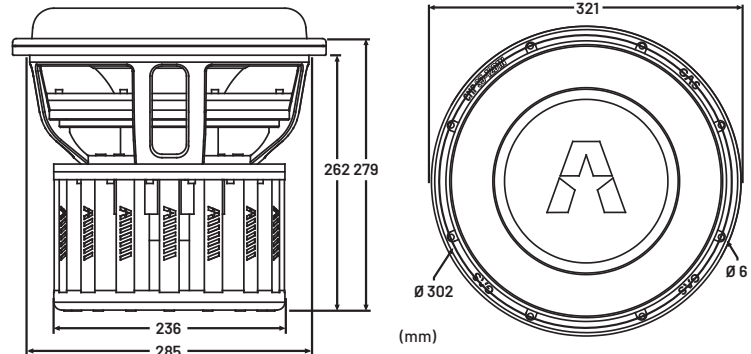
CMP S3-12D1N

Component	Subwoofer
Size	12" (300mm)
Nominal Impedance	1+1 Ohm
Power RMS	8000 W
Power MAX	16000 W
Freq. response	20-100 Hz
Voice Coil	Dual 4" 8-layer flat CCA wire
Cone	Reinforced Mica pulp cone
Dustcap	True Carbon
Basket	RAW HD alu.
Magnet	16pcs N52 34x20x38 Elite Grade Neodymium
Neo Charger	1x N52 Elite Grade Neodymium magnet
Suspension	Mega roll foam (dual stitch)
Weight	30.3 KG

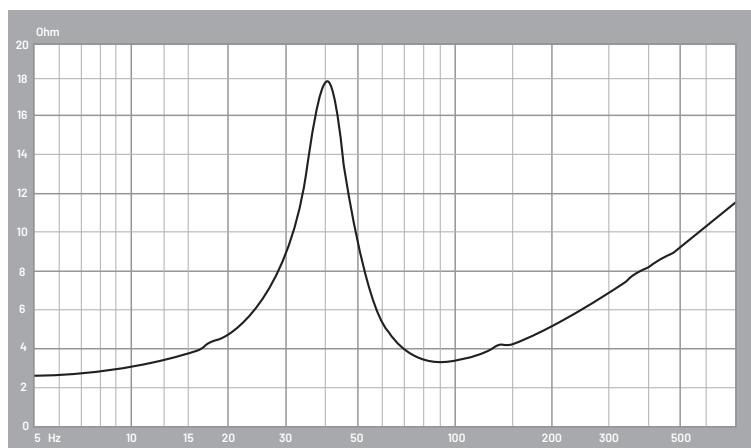
PARAMETERS

Impedance	1+1 Ohm
Re	1.8 Ohm
Fs	40.1 Hz
Qms	3.55
Qes	0.39
Qts	0.35
Vas	11.2 L
Sd	452 cm ²
Mms	403.5 g
Le	1.16 mH
Xmax	80 mm
dB/SPL	84.5 dB 1W/1M
BI	21.7
Driver Vol. Displacement	7.4 L

DIMENSIONS (mm)

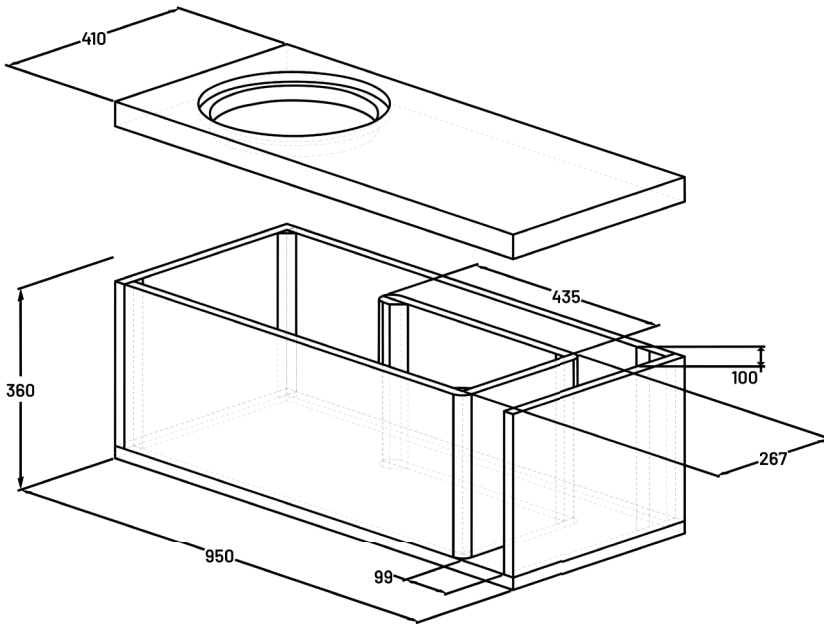


IMPEDANCE VS FREQUENCY



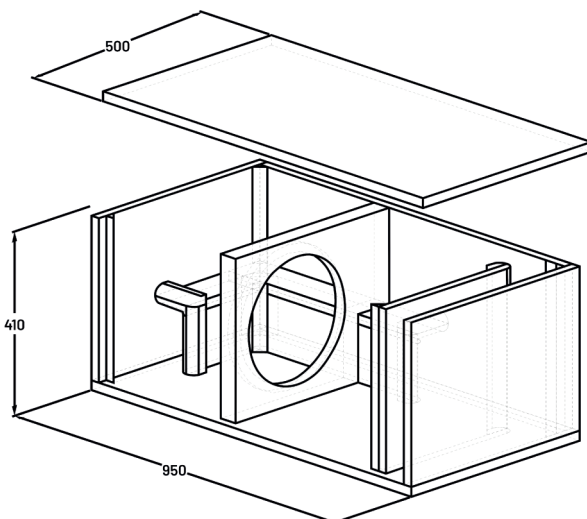
ENCLOSURE RECOMMENDATIONS

CMP S3-12D1N DRAWING (62.1 L):



Type	Vented
Dimensions	950x360x410 mm
Material	22 mm
Baffle	Double
Orientation	Inverted woofer
Net volume	68.4 L
Tuning	36 Hz
Vent area	291 cm ²
Vent length	821 mm (incl. 22 mm roundovers)
Vent dim.	99x294 mm
Cutout dia.	285 mm
Outer dia.	321 mm

CMP S3-12D1N DRAWING (48.5+63.3 L):



Type	6th order Bandpass
Dimensions	950x410x500 mm
Material	22 mm
Baffle	Double
Orientation	Front chamber
Cutout dia.	285 mm
Outer dia.	321 mm

Net volume (rear)	48.5 L	Net volume (front)	63.3 L (w. driver)
Tuning (rear)	26 Hz	Tuning (front)	47 Hz
Vent area (rear)	91 cm ²	Vent area (front)	274.5 cm ²
Vent dim. (rear)	70x130 mm	Vent dim. (front)	75x366 mm
Vent length (rear)	781 mm (incl. 22 mm roundovers)	Vent length (front)	477 mm (incl. 22 mm roundovers)