

CMP S3-33D1

HIGH-GRADE PRECISION

The extremely stiff cone - reinforced with mica pulp - provides uncompromising performance for supreme control and accuracy, even at the highest pressure levels. On top of that - literally - is a carbon dust cap to protect the guts of this 98 kilogram beast and ensures cone warping is a thing of the past. The result is a subwoofer with extreme rigidity, unparalleled control and outstanding precision.

WORLD CLASS ENDURANCE

At this ultimate level, linearity and accuracy is key. A moving assembly with a huge cone and a 6-inch coil is destined to be heavy (over 1860 grams), which needs to stay in perfect alignment even at extreme excursions. To keep this huge moving mass in check, we've implemented a 4-layer Nomex spider pack with orange mesh along- side a mega-roll foam surround at the top - of course double-stitched to the cone.

EXTREME POWER HANDLING

A black-anodized 6-inch 8-layer aluminum flat wire voice coil grants the CMP S3-33D1 formidable power handling and heat dissipation capabilities. To achieve the best possible signal transfer and increased durability, dual silver-coated tinsel leads have been sewn into the spider pack. The pre-terminated 10mm² oxygen-free copper direct leads provide excellent conductivity to ensure a strong and reliable direct connection between the subwoofer coil and your amplifier, with no points of added resistance or poor contact.

ELITE PERFORMANCE

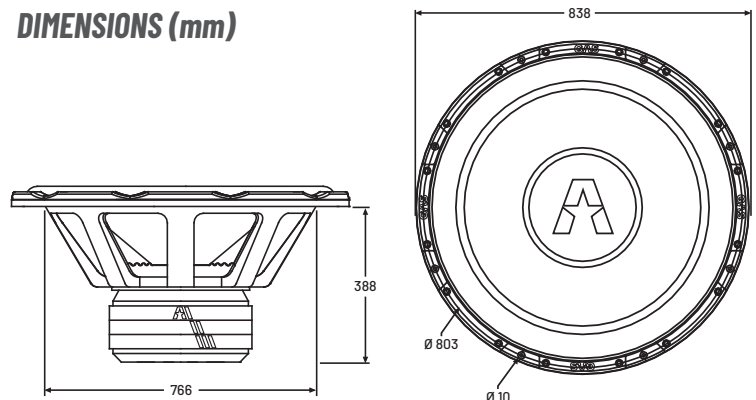
This subwoofer was designed from the ground up for the extremes. The hand-selected, massive 12.3" wide triple-stacked ferrite motor provides total control along the huge 70 mm X-max for unparalleled accuracy and depth. In addition, the cutting-edge DVS2™ cooling system ensures that the subwoofer operates at peak performance even during the most intense competitions. The CMP S3-33D1 demands attention and a gigantic amount of space, but will reward you with unprecedented deep bass.

SPECIFICATIONS

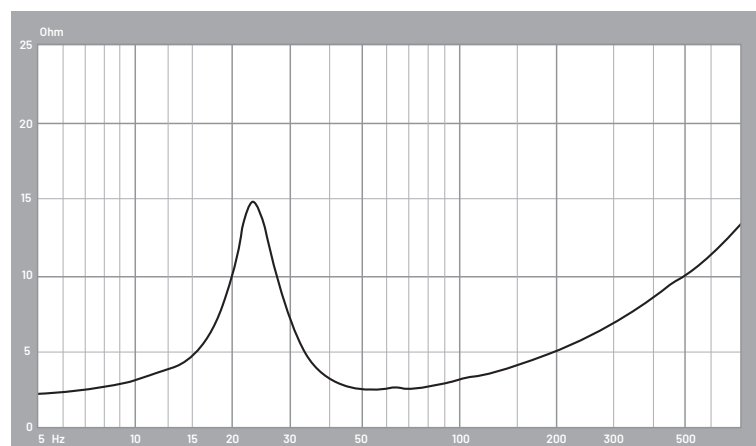
CMP S3-33D1	
Component	Subwoofer
Size	33" (840mm)
Nominal Impedance	1+1 Ohm
Power RMS	11000 W
Power MAX	22000 W
Freq. response	18-70 Hz
Voice Coil	Dual 6" 8-layer flat alu. wire
Cone	Reinforced Mica pulp cone
Dustcap	True Carbon
Basket	RAW HD alu.
Magnet	3x (312x30mm) HQ Ferrite
Suspension	Mega roll foam (dual stitch)
Weight	98 KG

PARAMETERS	
Impedance	1+1 Ohm
Re	2.2 Ohm
Fs	24 Hz
Qms	5.11
Qes	0.55
Qts	0.51
Vas	530 L
Sd	3957 cm ²
Mms	1860 g
Le	1.60 mH
Xmax	40 mm
dB/SPL	94 dB 1W/1M
BI	30.5
Driver Vol. Displacement	31.2 L

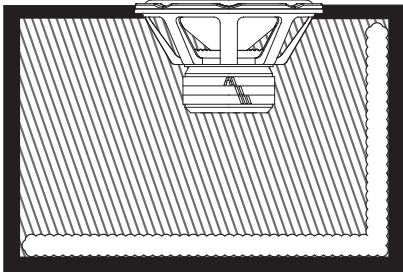
DIMENSIONS (mm)



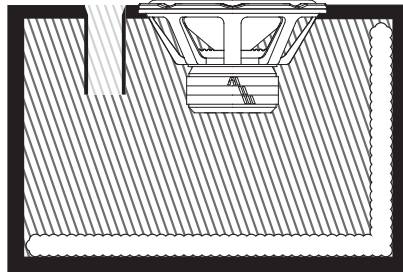
IMPEDANCE VS FREQUENCY



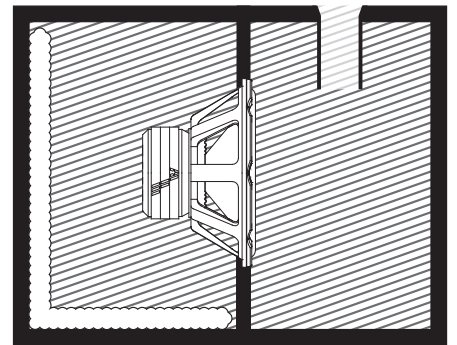
ENCLOSURE RECOMMENDATIONS



SEALED



VENTED



4TH ORDER BANDPASS

CMP S3-33D1:

	VOLUME	F3	QTC	FB	PORT	LENGTH	POLYFILL
SEALED	230L*	43Hz	0.707	x	x	x	Heavy
VENTED	540L*	29Hz	x	35Hz	Slot 800cm ²	28cm	Min

* Including driver and port displacement volume

