



POWER

**RMS** 100 **w**

**MAX** 200 **w**

## MAD PX2-64

### WREAK SOME HAVOC

The louder it gets, the happier we are. Just for this reason, we've created something extraordinary. A full range 6.5 inch coaxial speaker that's full of pure SPL potential. Put the MAD PX2-64 wherever you can: an enclosure, a car door, the rear shelf or whatever. It's all up to you, but make sure that you're the envy of everyone you know. Show them what you got and make it as LOUD as you possibly can!

### PASSIONATE ABOUT LOUD

Get ready to queue your favorite song and push your sound system to the edge! The MAD PX2-64 is equipped with a reinforced paper cone and Piezoelectric tweeter that can handle your awesome music taste. It's built for SPL, resistant to overloads and full range enhanced. One speaker to do it all, and do it really well.

### BUILT TO BE CRAZY

We could talk about this speaker all day long. The MAD PX2-64 has the same 3R Cloth surround as the PM2 midrange speakers to give you the right moves, just like you want it. While you're showing off your friends what you've got, the copper shorting ring lowers distortion and the DVS ventilation takes care of all the heat. This coaxial speaker got your back and will bring the best out of your favorite tunes!

### DOING IT THE SPL WAY

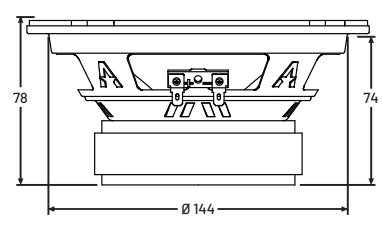
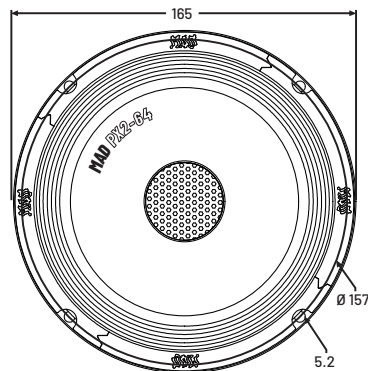
You can do better than two pairs of speakers, come on! More is always better, and we want you to be as LOUD as you possibly can. To make this easier, we've placed two S2 Screw/ Spade Crosshead terminals on the speaker. So you can build, expand and upgrade your sound system without wasting time on installation.

## SPECIFICATIONS

MAD PX2-64	
Component	SPL coaxial
Woofer size	6.5" (165mm)
Tweeter size	1" (25mm) Piezo Electric
Nominal impedance	4 Ohm
Power RMS	100W
Power MAX	200W
Freq. response	95-23 000Hz
Sensitivity	95dB
Voice coil	1.5" (38mm)
Voice coil wire WF	Copper
Woofer cone	Reinforced pressed paper
Woofer basket	Steel
Woofer suspension	2R cloth surround
Woofer magnet	HQ Ferrite
Woofer spider	Polycotton
Shorting ring	Copper
Terminal	S2 screw /spade

PARAMETERS	
Vas	7.8L
Qts	0.76
Qes	0.84
Qms	7.08
Re	3.40 Ohm
Fs	99.6 Hz

## DIMENSIONS (mm)



## PARTS INCLUDED

