



**POWER**

**RMS 300<sub>w</sub>**

**MAX 600<sub>w</sub>**

## SPECIFICATIONS

### MAD S2-10D2

Component	Subwoofer
Size	10" (250 mm)
Nominal Impedance	2+2 Ohm
Power RMS	300 W
Power MAX	600 W
Freq. response	25-250 Hz
Voice Coil	2" (51mm) PCW
Cone	IMPP
Dustcap	3D IMPP
Basket	M Steel
Magnet	HQ Ferrite
Suspension	USG Rubber
Weight	3.8 KG

### PARAMETERS

Impedance	2+2 Ohm
Re	3.6 Ohm
Fs	30 Hz
Qms	4.21
Qes	0.47
Qts	0.44
Vas	39.5 L
Sd	334.2 cm <sup>2</sup>
Mms	105 g
Le	2.635 mH
Xmax	17 mm
dB/SPL	86 dB 1W/1M
BI	11.4
Driver Vol. Displacement	1.2 L

# MAD S2-10D2

## THUNDER-SHAKING CONE

A robust, rigid and durable cone made by injection molded polypropylene (IMPP) that withstands the toughest resonance and membrane break-up. Provide it with raw power and you will be awarded!

## USG™ CONSTRUCTION

The USG™ (Unity Surround & Gasket) construction around the cone optimizes the linear movement and cone displacement area, all to give you the extra edge in accuracy and provide an awesome musical performance.

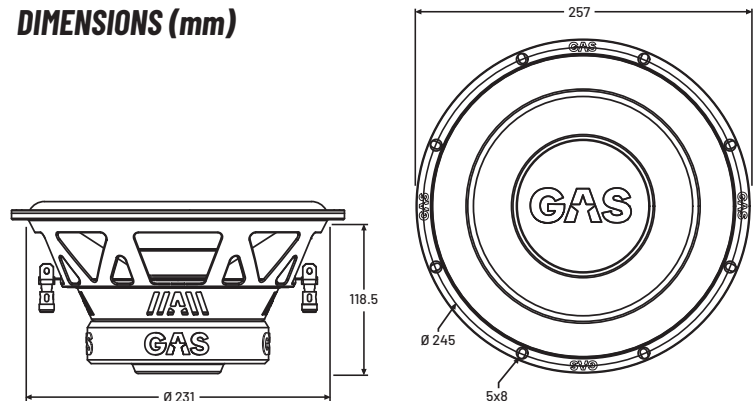
## DVS™ VENTILATION SYSTEM

If you like it LOUD, proper cooling is key. We implemented the subwoofer with a DVS™ (Dual Ventilation System) for reduced distortion and increased heat dissipation. Are you ready to push the MAD S2-10D2 to the limit? The incorporated woven tinsel leads avoid annoying pop sounds and improves durability!

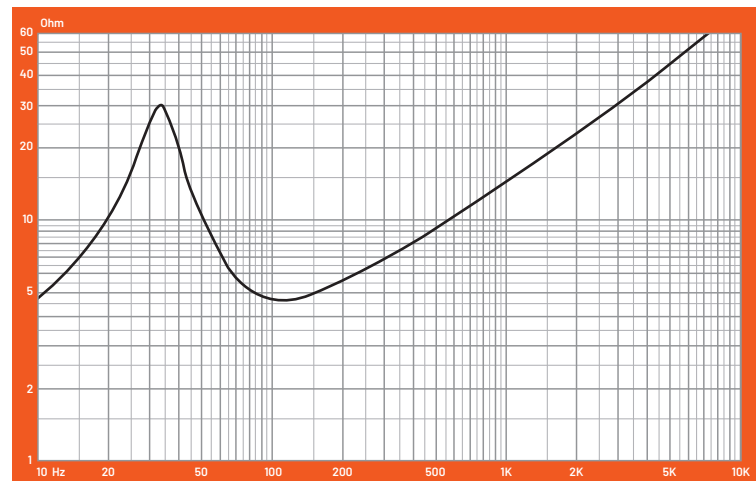
## FIERCE DESIGN AND DUAL PCW VOICE COIL

To match its awesome sound, we made an industrial and rugged MAD shaped steel basket that endures the toughest conditions. The dual 2+2 Ohm 51mm voice coil is made of PCW (Pure Copper Wire) and the dust cap is, like the cone, made of IMPP for a unique 3D design that'll make your friends jealous and keep the haters away! Walk tall and cruise with pride!

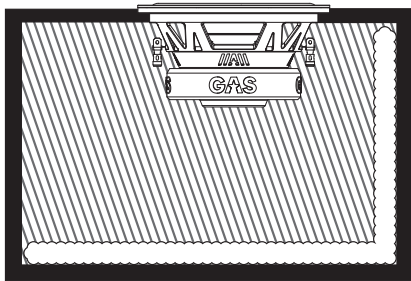
## DIMENSIONS (mm)



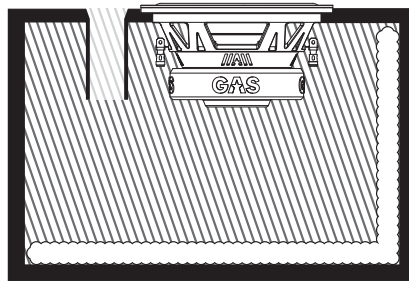
## IMPEDANCE VS FREQUENCY



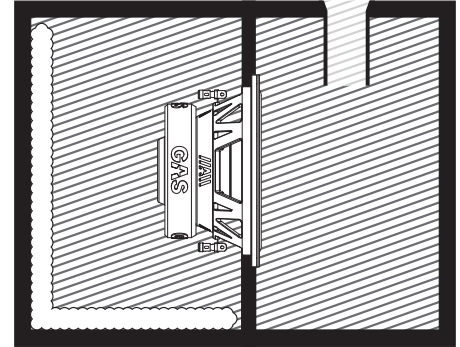
## ENCLOSURE RECOMMENDATIONS



**SEALED**



**VENTED**



**4TH ORDER BANDPASS**

### MAD S2-10D2:

	VOLUME	F3	QTC	FB	PORT	LENGTH	BANDWIDTH
SEALED	15L*	53Hz	0.822	x	x	x	x
SEALED	23L*	50.5Hz	0.707	x	x	x	x
VENTED	31L*	34Hz	x	36Hz	1x3" (76mm)	340mm	x
4TH ORDER BANDPASS	SEALED 25L* VENTED 30.5L	x	x	51Hz	4" (102mm)	290mm	(-3dB) 36Hz-72Hz

\* Including driver and port displacement volume

